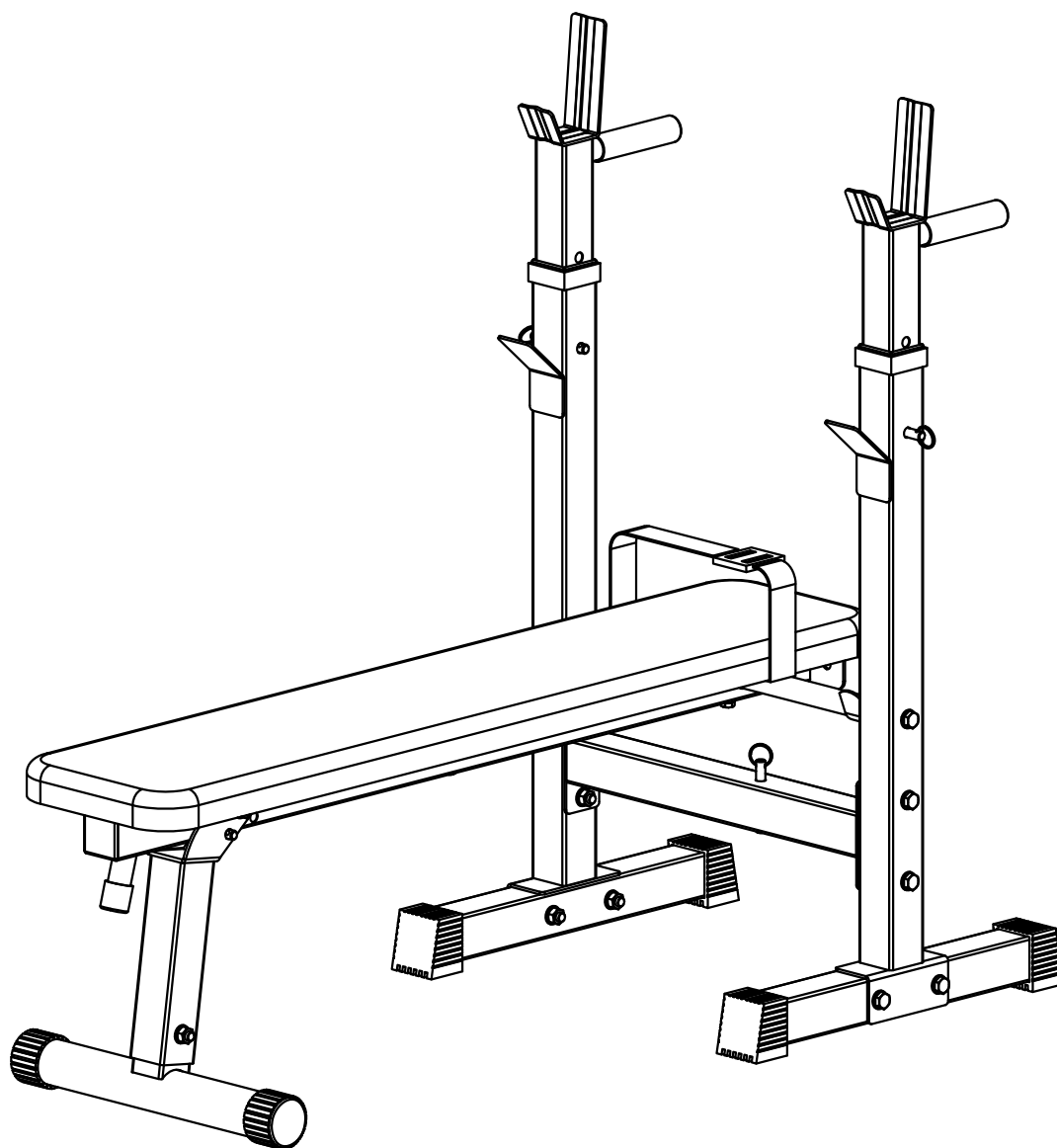


GORILLA SPORTS

MANUAL FOR PRESS BENCH

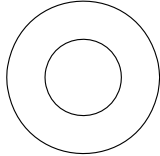
(10000118)





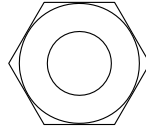
GORILLA SPORTS

Washer: ($\phi 10$)



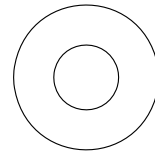
22x

Nut: (M10)



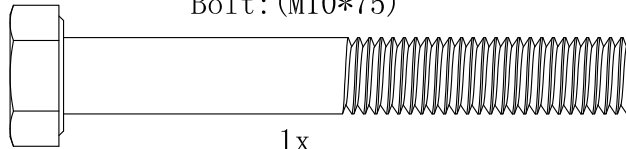
10x

Washer: ($\phi 8$)



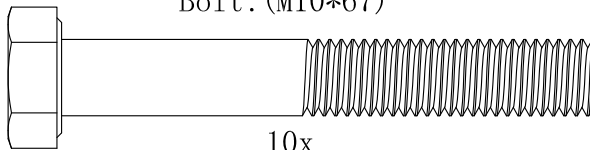
3x

Bolt: (M10*75)



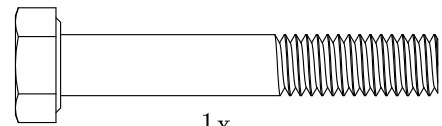
1x

Bolt: (M10*67)



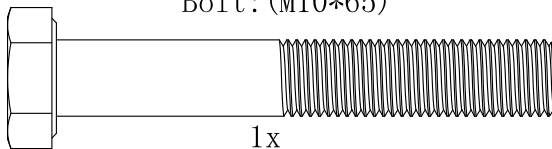
10x

Bolt: (M8*50)



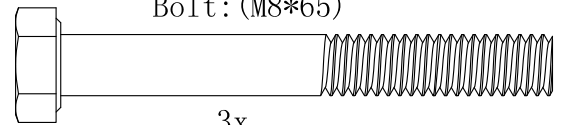
1x

Bolt: (M10*65)



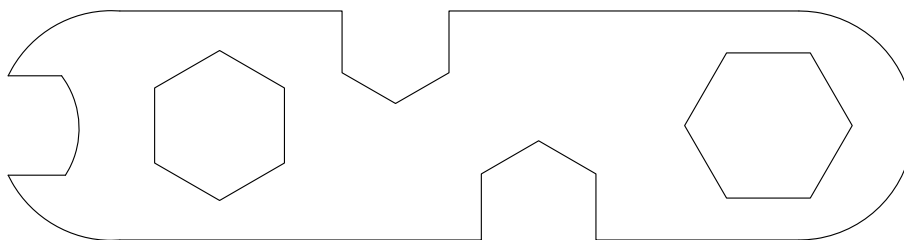
1x

Bolt: (M8*65)



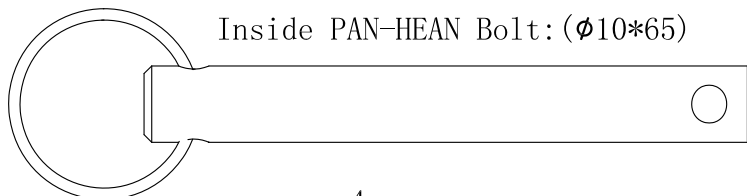
3x

Spanner



2x

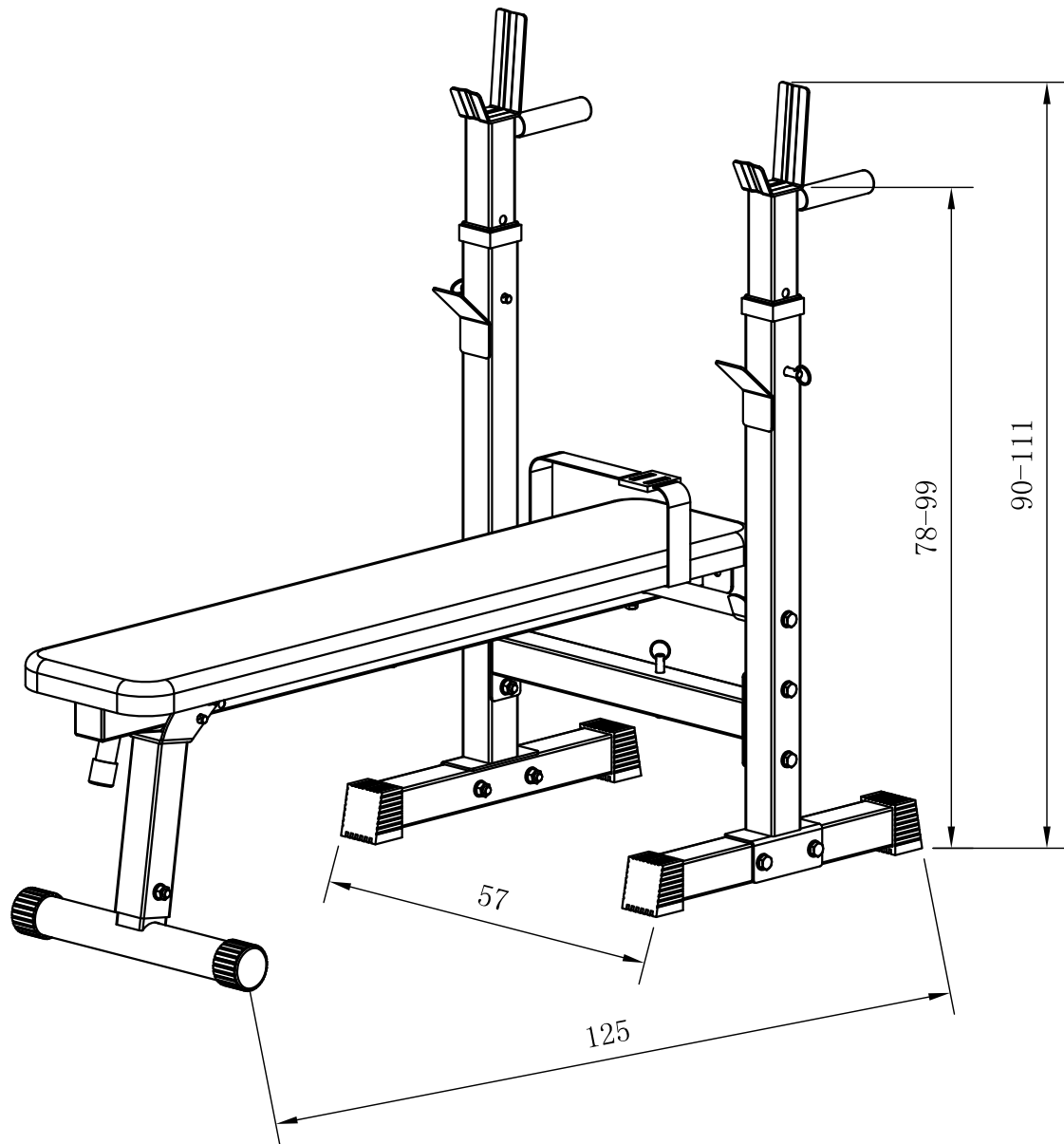
Inside PAN-HEAN Bolt: ($\phi 10*65$)



4x



GORILLA SPORTS

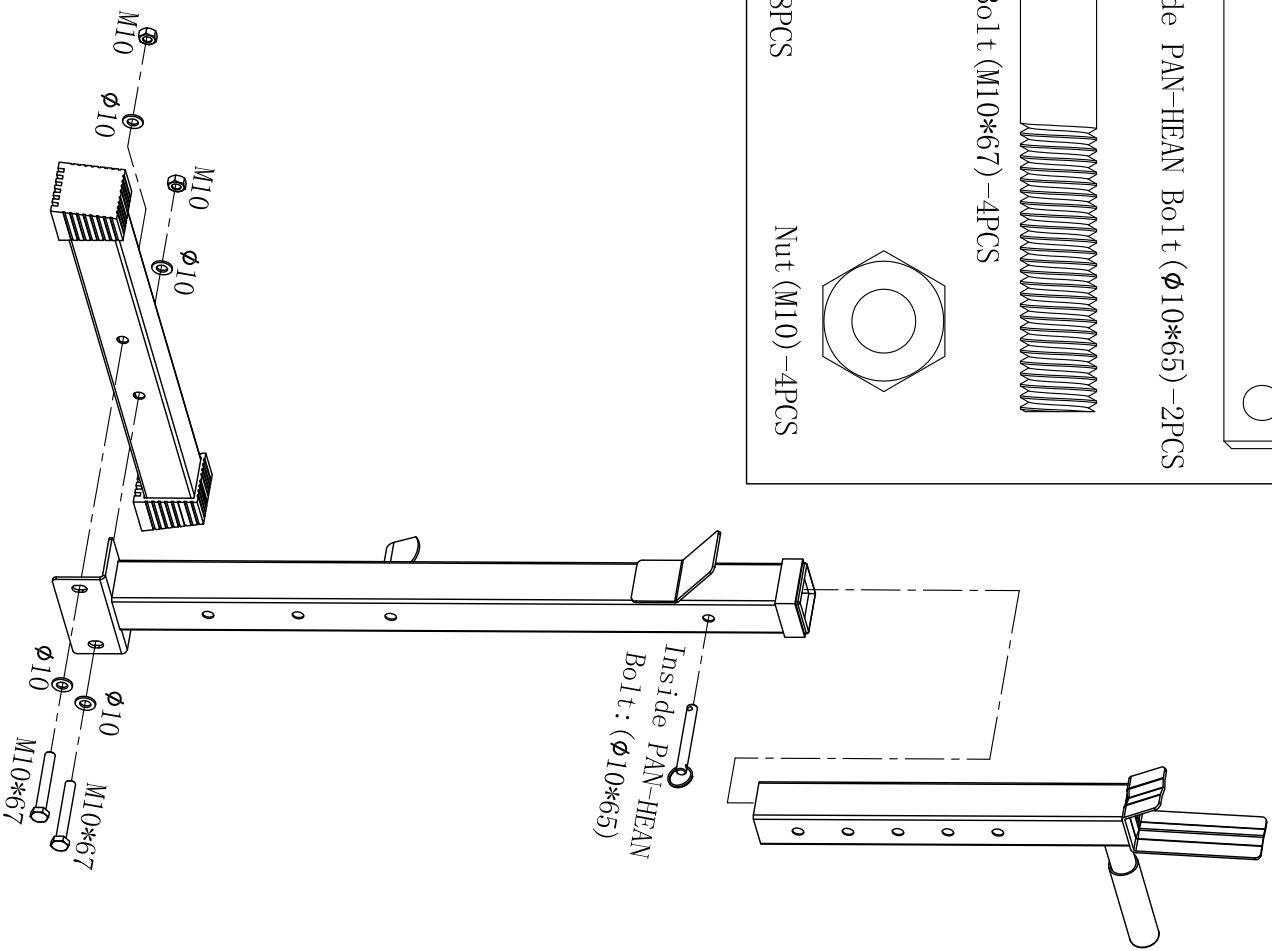
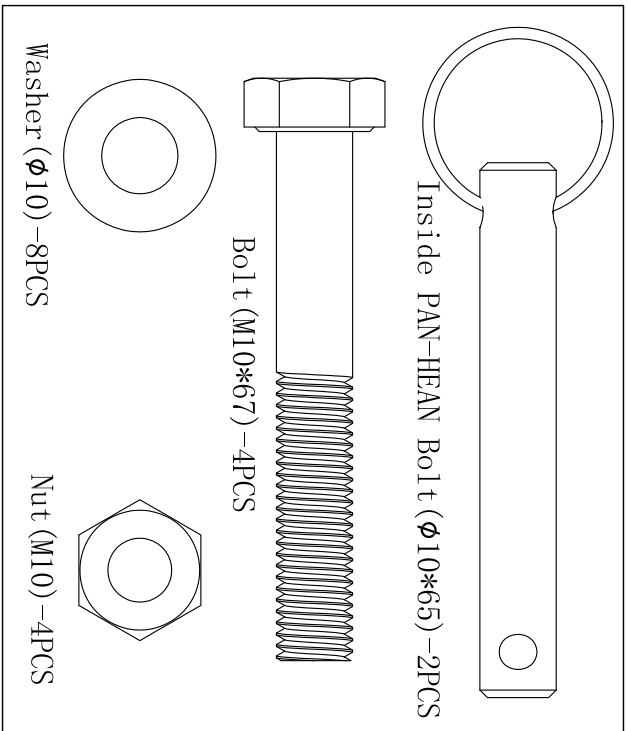
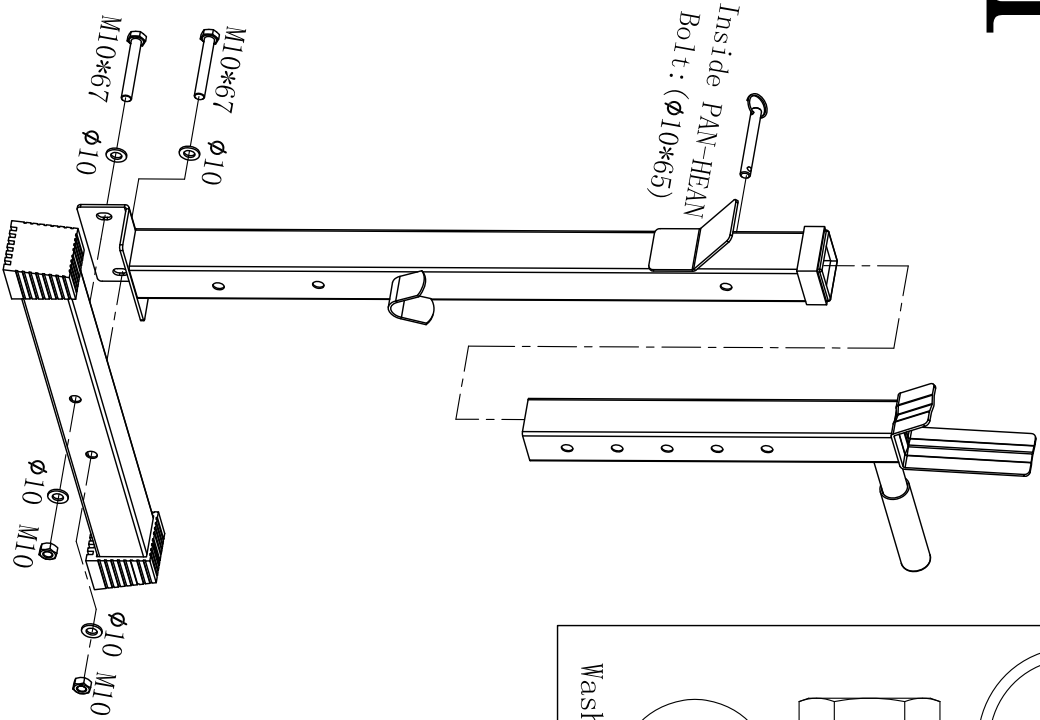


Unit weight: 30 KG

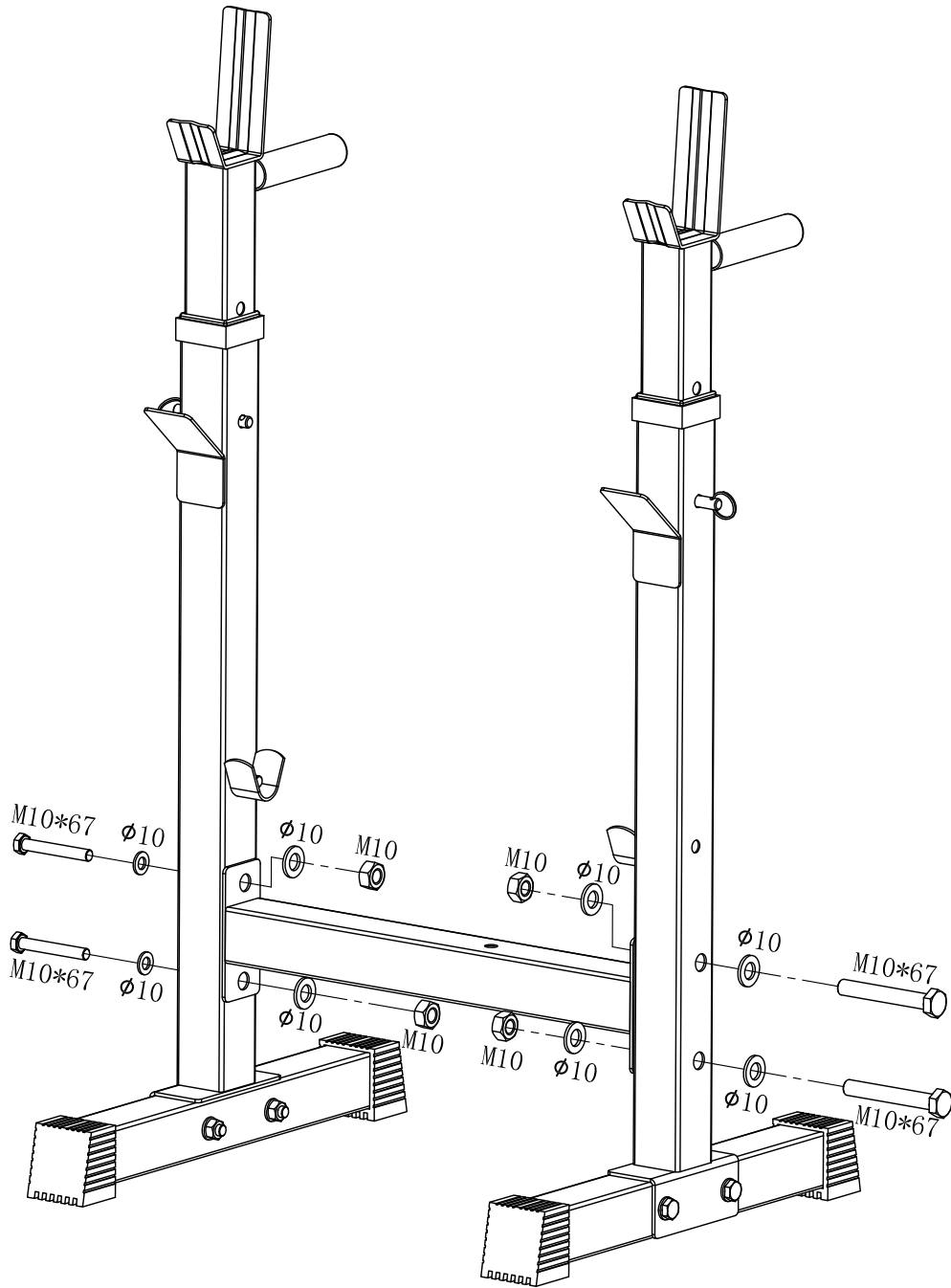
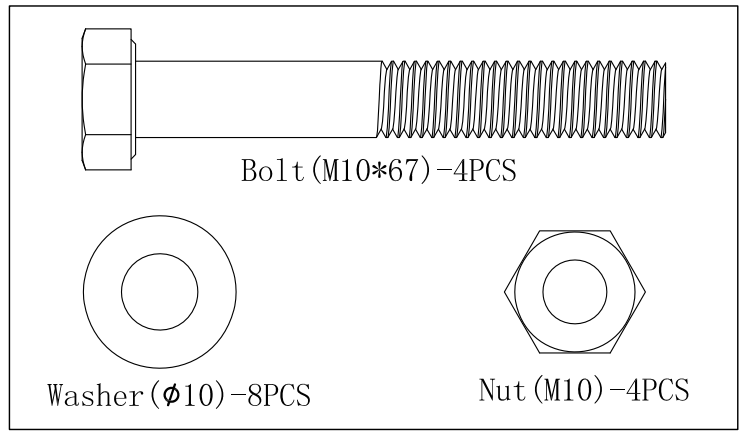
Dimensions complete: 125 cm x 57 cm x 78-99 cm

Maximum loading: 200KG

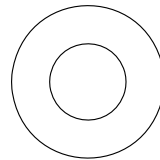
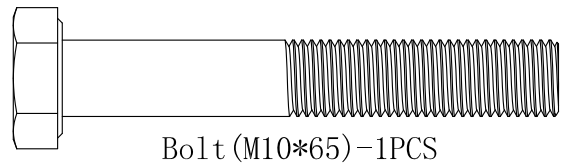
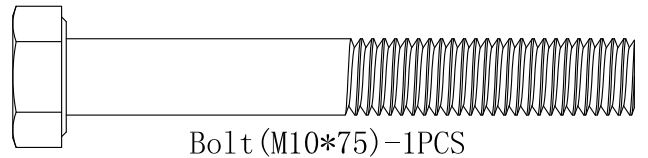
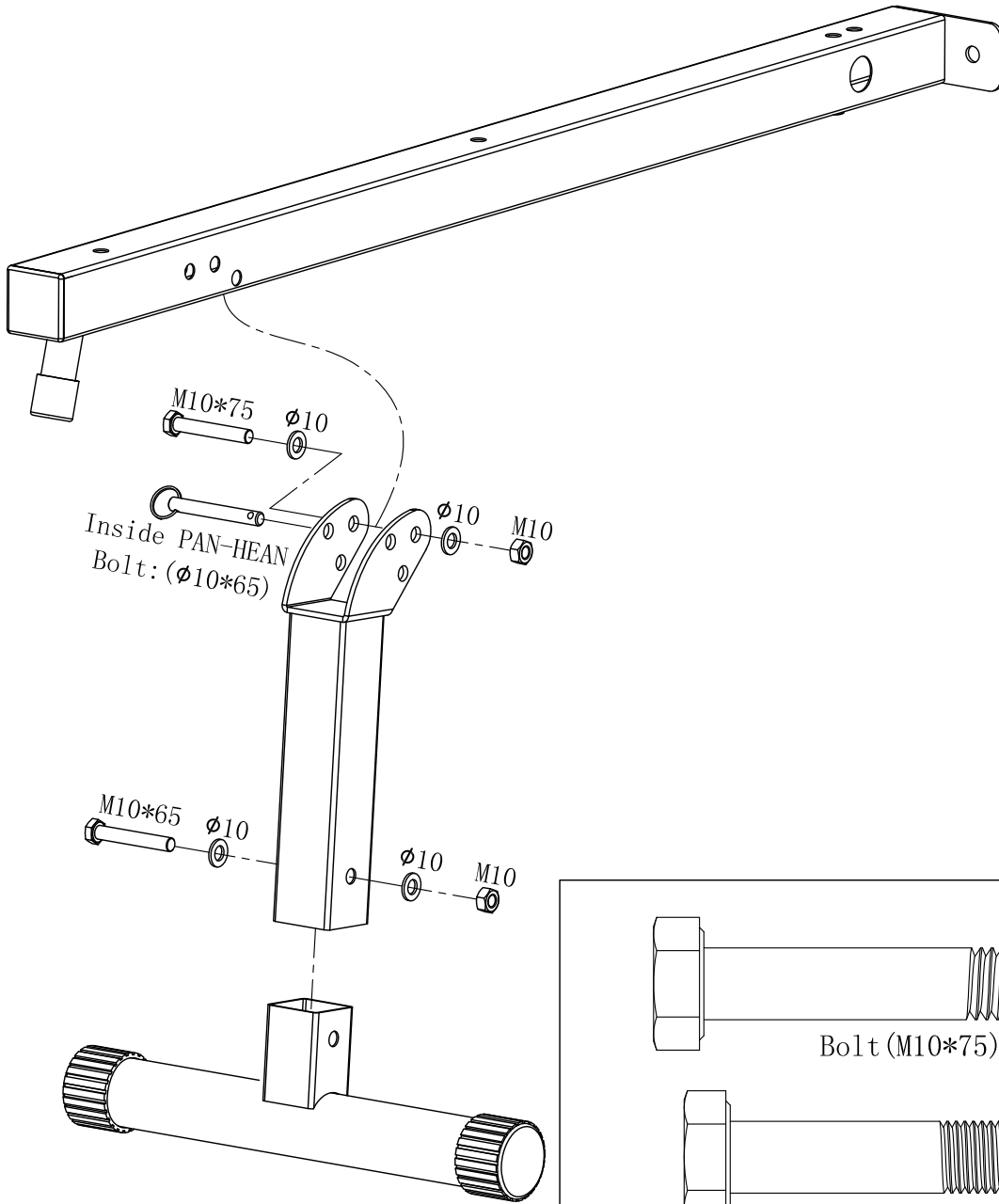
1



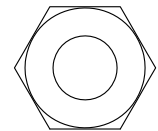
2



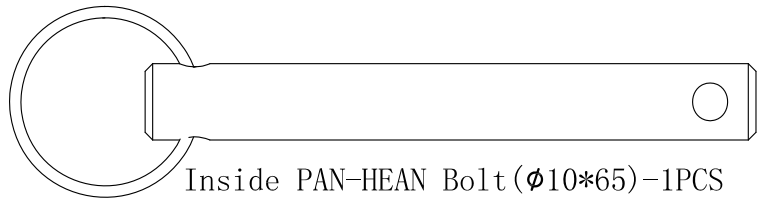
3

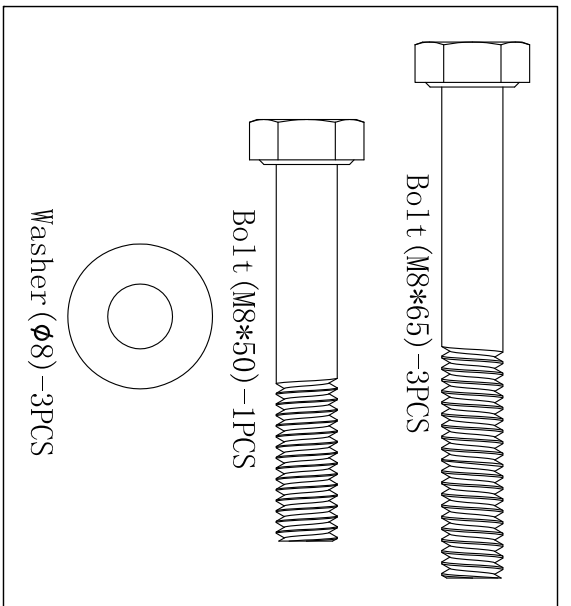
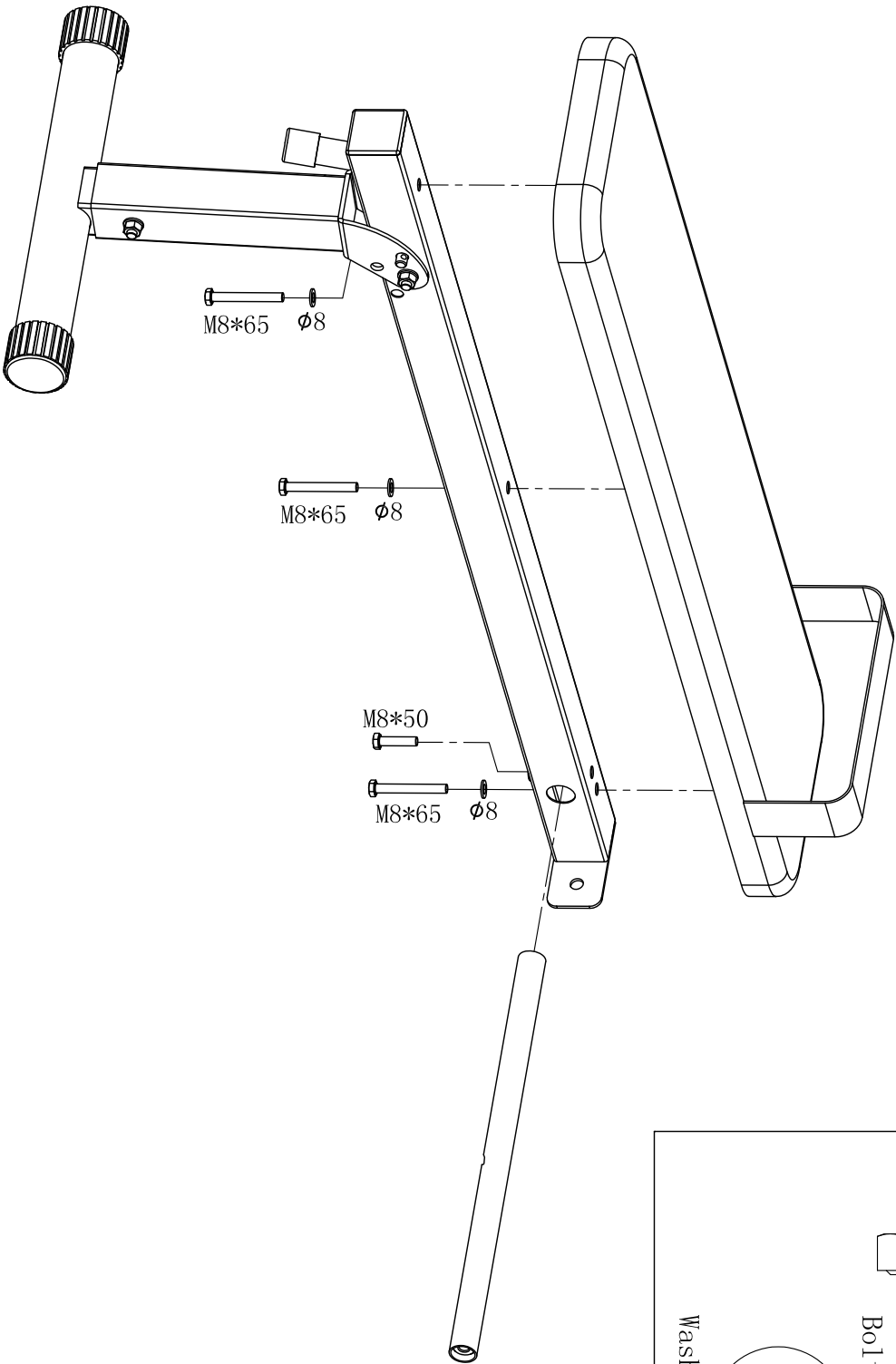


Washer ($\phi 10$) - 4PCS

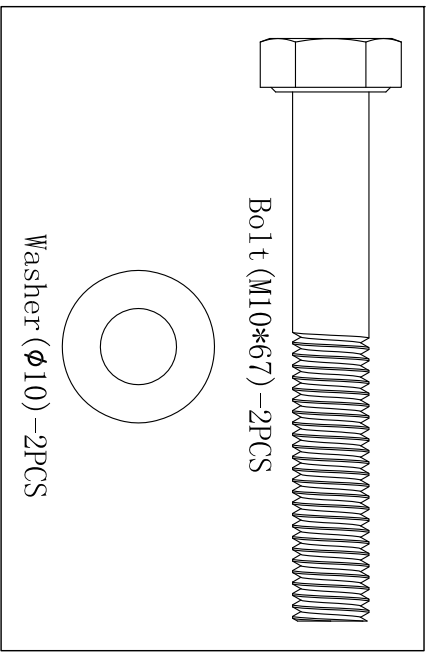
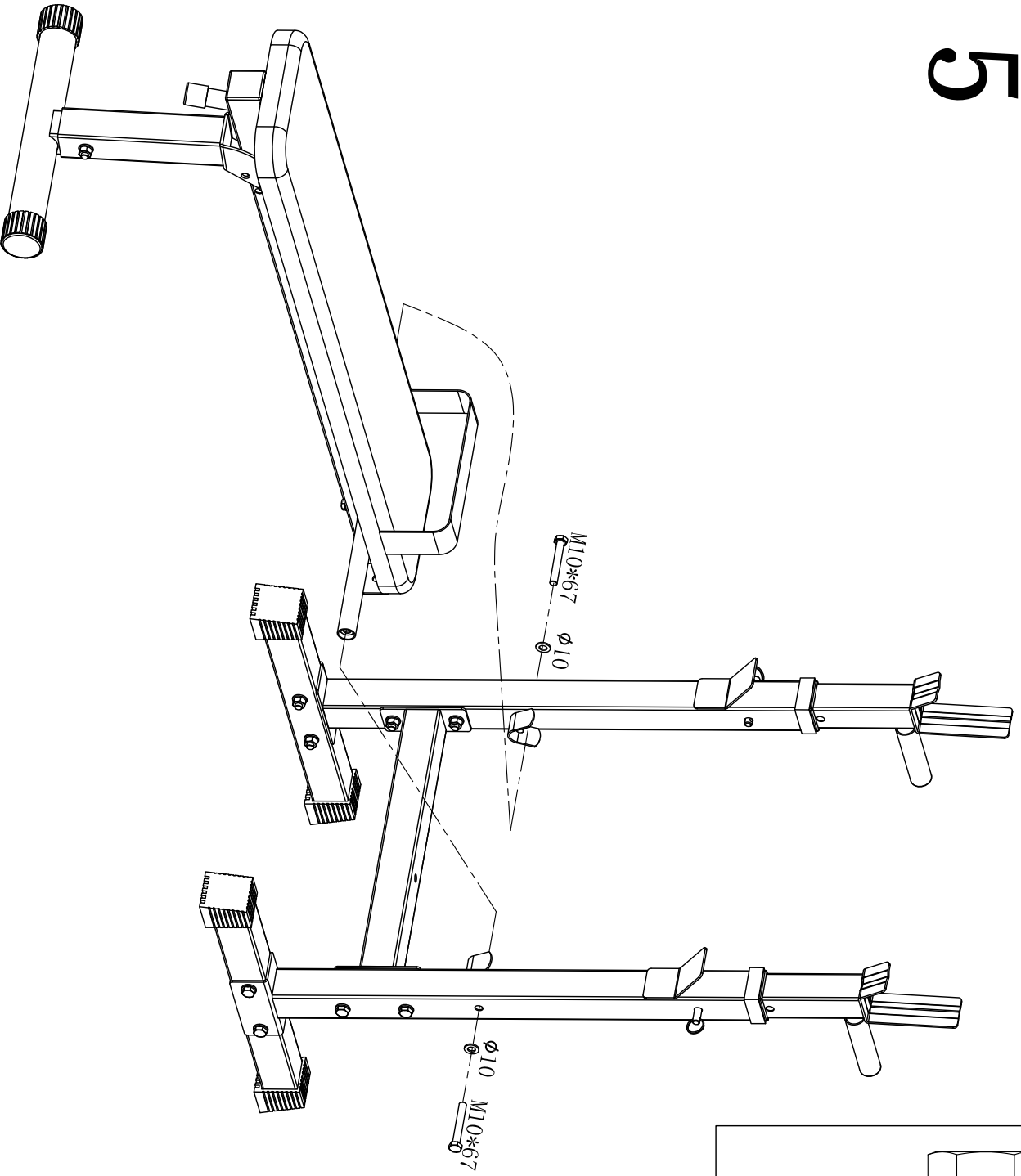


Nut (M10) - 2PCS





5



6

